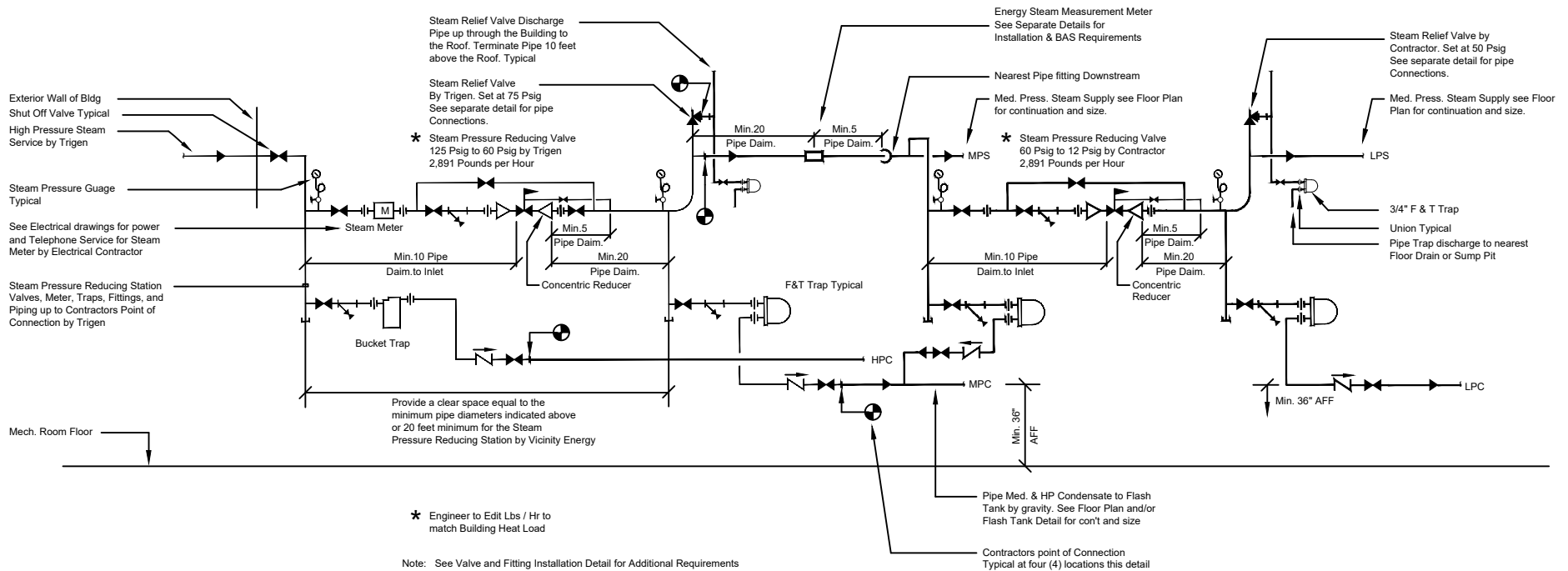


Detail : Building Steam Service Single Stage

No Scale



Detail : Building Steam Service Two Stages

No Scale